

XRC[®] TROLLEY SCANNER

XRC[®] ACS-SVP



The XRC[®] ACS-SVP is a specialized x-ray screening system purpose-built for airline food trolleys. Engineered from the ground up, it incorporates a unique detector array that enables complete inspection of trolley contents using an economical dual-energy x-ray generator. The system produces multiple views integrated into a single and detailed Super View Plus image, ensuring comprehensive visibility. Like all systems in the XRC[®] product line, it delivers high-quality imaging, advanced image enhancement, and robust post-processing features for exceptional clarity and reliable threat detection. In addition, custom-engineered automatic doors replace traditional lead curtains, streamlining the loading process and enabling efficient screening of up to three trolleys per minute.

TECHNICAL DATA XRC® ACS-SVP

PHYSICAL PROPERTIES

Tunnel Size	: 470 mm x 1530 mm
(W x H)	: 18,50 in x 60,24 in
Dimensions	: 6280 mm x 1740 mm x 1950 mm
(L x W x H)	: 247,25 in x 68,50 in x 76,77 in
Approx. Weight Unpacked	: ~1600 kg (3527 lbs.)
Conveyor Height	: 260 mm (10,24 in)
Max Object Size	: 410 mm x 1480 mm
Conveyor Load Capacity	: 200 kg (441 lbs.) Evenly Distributed
System Power	: 120/220V AC ± 10% 50/60 Hz, 10A / 5A max.
Conveyor Speed	: 0,20 m/sec. Forward or Reverse - 3 Trolleys per minute

CRATED SHIPPING DIMENSIONS

PL – TOTAL	: 2 Crates / GW : 1750kg (3858 lbs.)
Dimensions	: 3900 mm x 2000 mm x 2450 mm / 1500kg (3307 lbs.)
(L x W x H)	: 153,54 in x 78,74 in x 96,45 in
Dimensions	: 1700 mm x 1000 mm x 930 mm / 250kg (551 lbs.)
(L x W x H)	: 66,93 in x 39,37 in x 36,61 in

X-RAY GENERATOR & IMAGE PERFORMANCE

Steel Penetration ¹	: 35 mm guaranteed; 38 mm typical
Wire Resolution ¹	: 38 AWG guaranteed; 40 AWG typical
Anode Voltage	: 180kV, operating at 160kV
Tube Current	: 1,0 mA
Beam Direction	: Horizontally Sideward
Article Separation	: Low Z, Medium Z, High Z to 0,5 Z Accuracy Organic, InOrganic, Metallic
Cooling	: Oil and forced air cooling

COMPUTER SPECIFICATIONS

Processor	: Intel® Core™ i5 (or superior)
Monitor	: 21,5" Flat LCD (or superior)
Memory	: 4 GB RAM (or superior)
Video Card	: 2 GB (or superior)
Hard Drive	: 1 TB (or superior)
USB Port	: 6 port (or superior)
Operating System	: Linux

OPERATING ENVIRONMENT

Storage / Operating Temperature	: -20°C to 50°C / 0°C to 40°C (-4°F to 122°F / 32°F to 104°F)
Relative Humidity	: 0% to 95% non-condensing
Duty Cycle	: 100% (24 Hours), No warm-up required

HEALTH AND SAFETY

All X-Ray Center Ltd products meet all applicable international health and safety regulations
 US FDA Federal Standard 21CFR 1020.40
 Health and Safety at Work Act 1974-compliant 6 : Available
 Film Safety : ISO 1600 / 33 DIN
 CE Compliance : Certified
 FCC & IEC Compatibility : Available
 IP 20 Safety : Certified
 Maximum level of radiation the exterior panels come in contact with is 0.1 mR/hour

OPTIONAL FEATURES

Barcode Reader System
 External Camera Archiving
 Remote Viewing Station
 Recheck Station
 Network Supervisory System (NSS)
 Remote Access Connection
 Smart Card Login

OPTIONAL ACCESSORIES

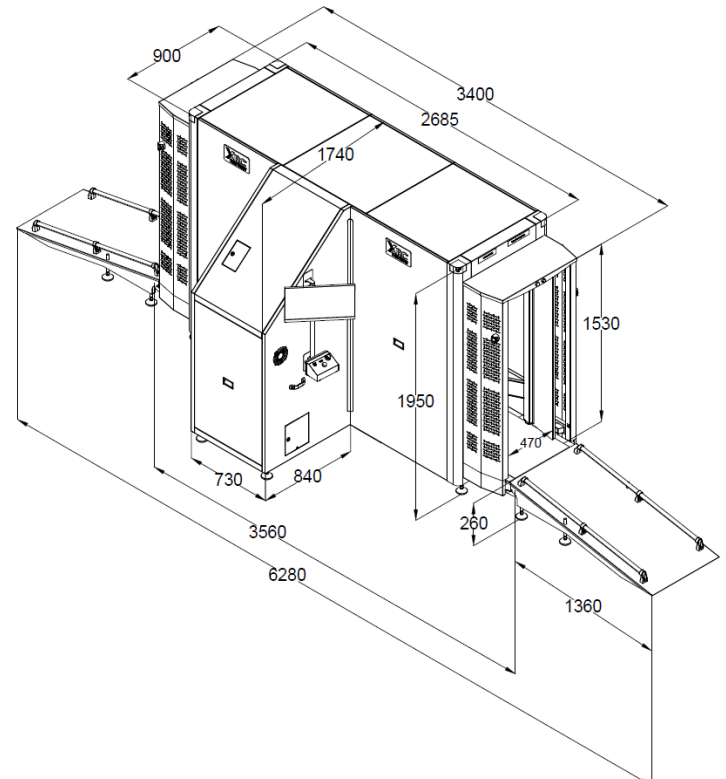
External UPS (For system)
 Operator Console (Open-Closed/Adjustable/I-stand)
 21,5"- 27" Flat Monitor
 Ultrasonic Rat Repellent
 Radiation Meter

STANDARD IMAGE PROCESSING FEATURES

Perfect View (Detail Enhancement) (PV)
 Edge Enhancement (EE)
 Pseudo Color (PS)
 Organic Materials (OM)
 Inorganic Materials (IM)
 Black & White (B/W)
 Inverse Colors (IN)
 High Penetration (HP)
 Variable Edge Enhancement (+E –E)
 Variable Density (+D –D)
 Variable Gamma (+G –G)
 Variable Color Separation (+C –C)
 Zoom (64x)
 Sniper Zoom
 Recall Previous Images
 Manual/Automatic Archive
 Annotated Archive
 Multi Energy Viewer (4 – 6 Color)
 Atomic Number Display (Z Value)

STANDARD FEATURES

Programmable Function Keys
 Trolley Counter
 Date and Time Display
 Virtual Threat Image Projection (TIP)
 Organic/Inorganic Threat Alarm
 Operator Training Program (OTP)
 UPS (For Computer Supply)
 Multi Languages
 Self Diagnosis
 Generator Timer
 Automatic Stop Conveyor
 Bi-Directional Scanning
 Emergency Stop Buttons



¹As tested on X-Ray Center Ltd. test piece. Conveyor speed is 0.20 m/sec.

Due to continuous product development, X-Ray Center reserves the right to change specifications without notice.

