

SMALL PARCEL & BAGGAGE X-RAY IMAGING SYSTEM

XRC 60-40DV



Quick and robust inspection is easily achieved with the XRC 60-40DV thanks to its **Liquid Explosive Detection Systems (LEDS) Standard 2 and Standard 3 Type C** issued by **European Civil Aviation Conference (ECAC)** and **American Transportation Safety Administration (TSA) ACSTL** certification. It facilitates the operators use thanks to the various image processing functions, hazard alarm, advanced computer technology and the best in class software and enables easy identification of potentially threatening objects such as cutting tools, explosives narcotics and minimizes the error rate.

It is designed with **dual view (DV)** technology. Thanks to its 2 x-ray generator sources, it provides high resolution and detailed imaging in horizontal and vertical angles. The images can be accessed with a single scan without the need to re-place the packages in a different orientation. Thus, hidden objects in the luggage are detected more easily and quickly. With the help of its multi-diode structure and quality in imaging of scanned objects, image is colored based on density and shows organic, inorganic and mixed materials in different tones. Small handbags, packages parcels and cabin baggage are suitable for scanning and offers the ideal solution for locations where security screening is required like airports checkpoints, police departments, ministries, prisons, institutions, courts, airlines, international customs logistics.

TECHNICAL DATA XRC 60-40DV

PHYSICAL PROPERTIES

Tunnel Size	: 610 mm x 420 mm
(W x H)	: 24,02 in x 16,54 in
Dimensions	: 2220 mm x 1370 mm x 1270 mm
(L x H x W)	: 87,40 in x 53,94 in x 50 in
Approx. Weight Unpacked	: ~725kg (1598 lbs.)
Conveyor Height*	: 810 mm (31,89 in)
Conveyor Load Capacity	: 165 kg (364 lbs.) Evenly Distributed
System Power	: 110/220V AC \pm 10% 50/60 Hz, 5amp max.
Conveyor Speed	: 0,20 m/sec. (+/- 20%) Forward or Reverse

X-RAY GENERATOR & IMAGE PERFORMANCE

Steel Penetration ¹	: 37 mm guaranteed; 39 mm typical
Wire Resolution ¹	: 38 AWG guaranteed; 40 AWG typical
Anode Voltage	: 170kV, operating at 160kV
Tube Current	: 1,0 mA
Beam Direction	1st Generator : Vertically upward 2nd Generator : Horizontally sideward
Article Separation	: Low Z, Medium Z, High Z to 0,5 Z Accuracy, Organic, InOrganic, Metallic
Cooling	: Oil and forced air cooling

COMPUTER SPECIFICATIONS

Processor	: Intel® Core™ i5 (or superior)
Monitor	: Dual 21,5" Flat LCD Monitor Min.1280x1024 Resolution (or superior)
Memory	: 4 GB RAM (or superior)
Video Card	: 2 GB (or superior)
Hard Drive	: 1 TB (or superior)
USB Port	: 6 port (or superior)
Operating System	: Linux

OPERATING ENVIRONMENT

Storage / Operating Temperature	: -20°C to 50°C / 0°C to 40°C (-4°F to 122°F / 32°F to 104°F)
Relative Humidity	: 10% to 90% non-condensing
Duty Cycle	100% (24 Hours), No warm-up required

STANDARD FEATURES

Programmable Function Keys
Parcel Counter
Date and Time Display
Virtual Threat Image Projection (TIP)
Organic/Inorganic Threat Alarm
Operator Training Program (OTP)
UPS (For Computer Supply)
Multi Languages
Self Diagnosis
Generator Timer
Bi-Directional Scanning
Automatic Stop Conveyor
Emergency stop buttons

OPTIONAL FEATURES

Barcode Reader System
External Camera Archiving
Remote Viewing Station
Recheck Station
Network Supervisory System (NSS)
Remote Access Connection
Smart Card Login

HEALTH AND SAFETY

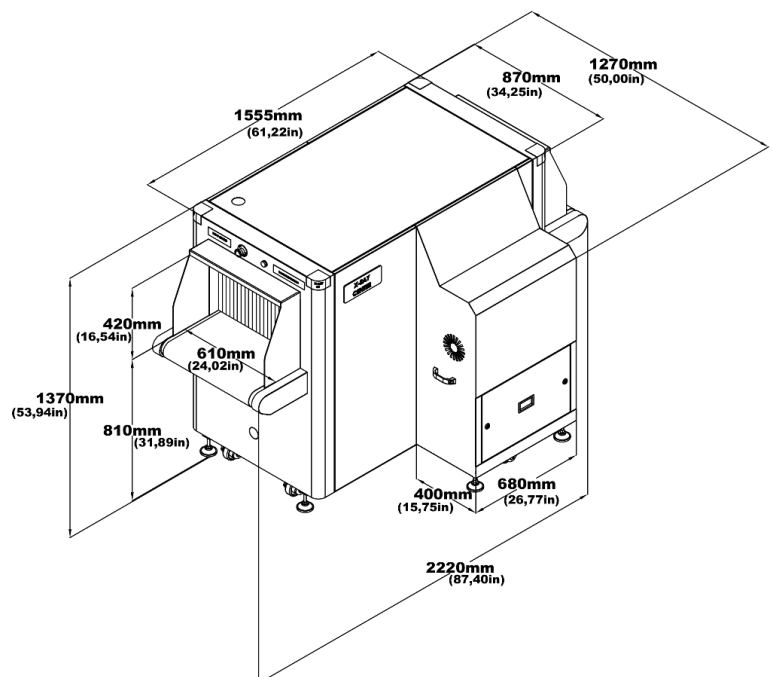
All X-Ray Center Ltd products meet all applicable international health and safety regulations.
Safety Interlock Switches: To protect against radiation hazards In case of opening the sensitive lids of the machine, there are Safety Interlock Switches to prevent radiation leakage.
Made of strong materials and durable to scratch and rust.
US FDA Federal Standard 21CFR 1020.40
Health and Safety at Work Act 1974-compliant 6 : Available
Film Safety : ISO 1600 / 33 DIN
CE Compliance : Certified
FCC & IEC Compatibility : Available
IP 20 Safety : Certified
Maximum level of radiation the exterior panels come in contact with is 0.1 mR/hour

STANDARD IMAGE PROCESSING FEATURES

Perfect View (Detail Enhancement) (PV)
Edge Enhancement (EE)
Pseudo Color (PS)
Organic Materials (OM)
Inorganic Materials (IM)
Black & White (B/W)
Inverse Colors (IN)
High Penetration (HP)
Variable Edge Enhancement (+E -E)
Variable Density (+D -D)
Variable Gamma (+G -G)
Variable Color Separation (+C -C)
Zoom (64x)
Sniper Zoom
Recall Previous Images (100,000 or superior)
Manual/Automatic Archive (100,000 or superior)
Annotated Archive
Multi Energy Viewer (4 - 6 Color)
Atomic Number Display (Z Value)

OPTIONAL ACCESSORIES

External UPS (For system)
Operator Console (Open-Closed/Adjustable/I-stand)
21,5" - 27" Flat Monitor
Input / Output Rollers
Test Kit (STP/ASTM)
Protective Cover
Search Table
Tray Return System (Motorized/Gravity)
Inclined Conveyor
Ultrasonic Rat Repellent
Radiation Meter



¹As tested on X-Ray Center Ltd. test piece. Conveyor speed is 0.20 m/sec. *Level adjusting feet.
Products certified as TSA, ECAC and so on are available as an option. Please inquire from your dealer.
Due to continuous product development, X-Ray Center reserves the right to change specifications without notice.

