

PALLET & CARGO
X-RAY IMAGING SYSTEM

XRC 150-165 (200KV)



XRC 150-165 provides excellent performance thanks to its 200kV generator. It facilitates the operators use thanks to the various image processing functions, hazard alarm, advanced computer technology and the best in class software. It provides exceptional ease in detecting threats such as cutting tools, explosives narcotics and minimizes the error rate. Thanks to its multi-diode structure and quality in imaging of scanned materials, image is colored based on density and shows organic, inorganic and mixed materials in different tones.

It is designed with the latest technology to scan medium and large packages on a pallet. This x-ray machine is one of the most suitable solutions for use in high security facilities such as freight companies, terminals, airports, customs and general cargo.

TECHNICAL DATA XRC 150-165 (200KV)

PHYSICAL PROPERTIES

Tunnel Size	: 1530 mm x 1655 mm
(W x H)	: 60,24 in x 65,16 in
Dimensions	: 6445 mm x 2145 mm x 2440 mm
(L x H x W)	: 253,74 in x 84,45 in x 96,06 in
Approx. Weight Unpacked	: ~2450 kg (5401 lbs.)
Conveyor Height	: 295 mm (11,61 in)
Conveyor Load Capacity	: 3000 kg (6614 lbs.) Evenly Distributed
System Power	: 110/220V AC ± 10% 50/60 Hz, 10amp max.
Conveyor Speed	: 0,20 m/sec. Forward or Reverse

X-RAY GENERATOR & IMAGE PERFORMANCE

Steel Penetration ¹	: 50 mm guaranteed; 52 mm typical
Wire Resolution ¹	: 36 AWG guaranteed; 38 AWG typical
Anode Voltage	: 200kV, operating at 200kV
Tube Current	: 1,2 mA
Beam Direction	: Horizontally Sideward
Article Separation	: Low Z, Medium Z, High Z to 0,5 Z Accuracy
Cooling	: Oil and forced air cooling

COMPUTER SPECIFICATIONS

Processor	: Intel® Core™ i5 (or superior)
Monitor	: 21,5" Flat (or superior)
Memory	: 4 GB RAM (or superior)
Video Card	: 2 GB (or superior)
Hard Drive	: 1 TB (or superior)
USB Port	: 6 port (or superior)
Operating System	: Linux

OPERATING ENVIRONMENT

Storage / Operating Temperature	: -20°C to 50°C / 0°C to 40°C (-4°F to 122°F / 32°F to 104°F)
Relative Humidity	: 10% to 90% non-condensing

HEALTH AND SAFETY

All X-Ray Center Ltd products meet all applicable international health and safety regulations.

US FDA Federal Standard 21CFR 1020.40

Health and Safety at Work Act 1974-compliant 6 : Available

Film Safety : ISO 1600 / 33 DIN

CE Compliance : Certified

FCC & IEC Compatibility : Available

IP 20 Safety : Certified

Maximum level of radiation the exterior panels come in contact with is 0.1 mR/hour

OPTIONAL FEATURES

Barcode Reader System
External Camera Archiving
Remote Viewing Station
Recheck Station
Network Supervisory System (NSS)
Remote Access Connection
Smart Card Login

OPTIONAL ACCESSORIES

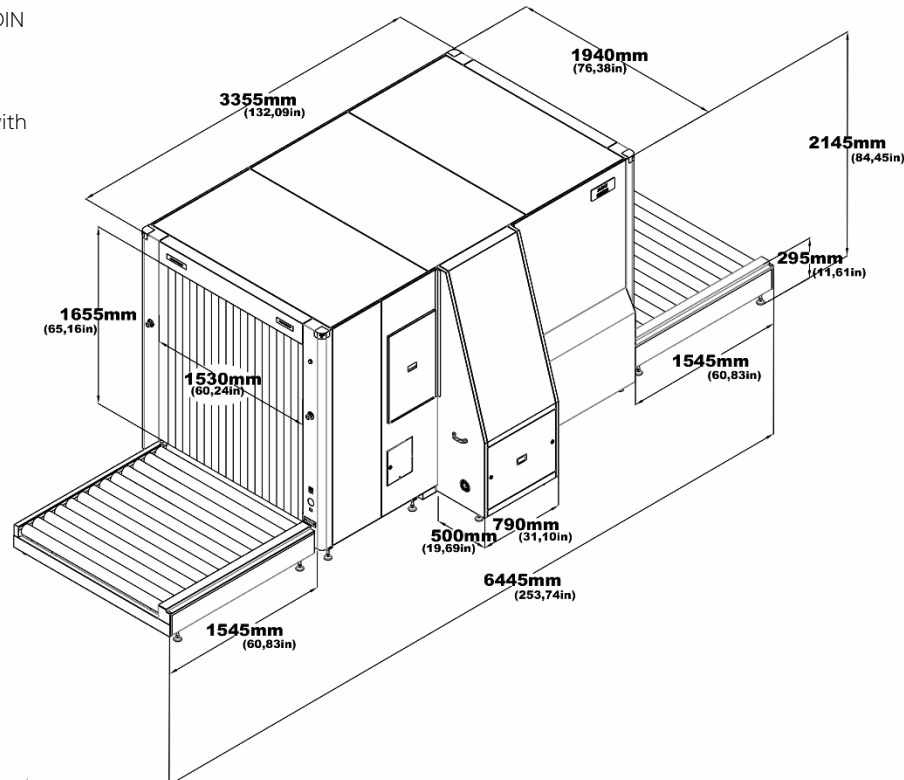
External UPS (For system)
Operator Console (Open-Closed/Adjustable/I-stand)
21,5" - 27" Flat Monitor
Input / Output Rollers
Test Kit (STP/ASTM)
Protective Cover
Search Table
Tray Return System (Motorized/Gravity)
Inclined Conveyor
Ultrasonic Rat Repellent
Radiation Meter

STANDARD IMAGE PROCESSING FEATURES

Perfect View (Detail Enhancement) (PV)
Edge Enhancement (EE)
Pseudo Color (PS)
Organic Materials (OM)
Inorganic Materials (IM)
Black & White (B/W)
Inverse Colors (IN)
High Penetration (HP)
Variable Edge Enhancement (+E -E)
Variable Density (+D -D)
Variable Gamma (+G -G)
Variable Color Separation (+C -C)
Zoom (64x)
Sniper Zoom
Recall Previous Images
Manual/Automatic Archive
Annotated Archive
Multi Energy Viewer (4 - 6 Color)
Atomic Number Display (Z Value)

STANDARD FEATURES

Programmable Function Keys
Parcel Counter
Date and Time Display
Virtual Threat Image Projection (TIP)
Organic/Inorganic Threat Alarm
Operator Training Program (OTP)
UPS (For Computer Supply)
Multi Languages
Self Diagnosis
Generator Timer
Automatic Stop Conveyor



¹As tested on X-Ray Center Ltd. test piece. Conveyor speed is 0.20 m/sec.

Products certified as TSA, ECAC and so on are available as an option. Please inquire from your dealer.

Due to continuous product development, X-Ray Center reserves the right to change specifications without notice.

